

BOX WITH BLANK SIDES

SCABOX Series

CUBIK Series



GW 650°C

GW 650°C - CLEAR COVER

GW 650°C - IP55

GW 960°C - IP55

Cover	Dimensions (mm)	Fixing screws	Metal screws		Metal screws		1/4 turn engineering plastic screws		1/4 turn engineering plastic screws	
Screw cover	100x100x50	4	686.204	1/40	686.224	1/40	689.204	48	688.204.R	48
	100x100x80	4	686.404	1/24	686.424	1/24				
	120x80x50	2	686.205	1/42	686.225	1/42	689.205	42	688.205.R	42
	150x110x70	4	686.206 (*)	1/48	686.226 (*)	1/48	689.206	48	688.206.R	48
	190x140x70	4	686.207 (*)	1/30	686.227 (*)	1/30				
	240x190x90	4	686.208 (◆)(*)	1/16	686.228 (◆)(*)	1/16				
	240x190x125	4	686.408 (◆)(*)	1/6	686.428 (◆)(*)	1/6				
	300x220x120	4	686.209 (◆)(*)	1/8	686.229 (◆)(*)	1/8				
	300x220x170	4	686.409 (◆)(*)	1/6	686.429 (◆)(*)	1/6				
	380x300x120	4	686.210 (◆)(*)	1/4	686.230 (◆)(*)	1/4				
	380x300x170	6	686.410 (◆)(*)	1/3	686.430 (◆)(*)	1/3				
	450x370x130	6	686.211 (◆)(■)	1	686.231 (◆)(■)	1				
	450x370x180	6	686.411 (◆)(■)	1	686.431 (◆)(■)	1				

(*) (K1) It is possible to use the wall mounting brackets kit item 654.0021.

(■) (K2) It is possible to use the wall mounting brackets kit item 654.0023.

(◆) Suitable for the hinges mounting.

BACK PLATE

SCABOX Series



Cover	Dimensions (mm)		
Zinc-coated steel back plate	190x140	654.0787	1
	240x190	654.0788	1
	300x220	654.0789	1
	380x300	654.0790	1
	452x372	654.0791	1

ACCESSORIES

SCABOX Series

Cover	Dimensions (mm)		
Hinge kit	452x372	654.0085	1/20
Wall mounting brackets	K1 (4 pz.)	654.0021	1/10
	K2 (4 pz.)	654.0023	1/10
Cover sealing kit		654.0032	1/25
Fixing plug		654.0022	2000
Sealing caps		654.0080	100

BOX WITH CABLE SLEEVES

SCABOX Series

CUBIK Series



GW 650°C



GW 650°C



GW 650°C



GW 960°C

Cover	Dimensions (mm)	No. of inlets	For	Fixing screws			Metal screws		1/4 turn engineering plastic screws			1/4 turn engineering plastic screws	
Release cover	ø65x35	4xø23mm	PG 16	2	680.001		4/100						
	ø80x40	4xø23mm	PG 16	2	680.002		4/100						
	80x80x40	6xø23mm	PG 16	2	680.003		4/60						
Screw cover	100x100x50	6xø29mm	PG 21	4			685.004	1/48	689.004 (▲)	48		688.004.R (▲)	48
	120x80x50	6xø29mm	PG 16	2			685.005	1/54	689.005	54		688.005.R	54
	150x110x70	10xø29mm	PG 21	4			685.006 (*)	1/40	689.006	40		688.006.R	40
	190x140x70	10xø38mm	PG 29	4			685.007 (*)	1/24					
	240x190x90	12xø38mm	PG 29	4			685.008 (◆)(*)	1/12					
	300x220x120	12xø38mm	PG 29	4			685.009 (◆)(*)	1/6					
	380x300x120	12xø48mm	PG 36	4			685.010 (◆)(*)	1/4					
	450x370x130	14xø48mm	PG 36	6			685.011 (◆)(■)	1					

(▲) No of inlets 7xø29mm.

(◆) Suitable for the hinges mounting.

(*) (K1) It is possible to use the wall mounting brackets kit item 654.0021.

(■) (K2) It is possible to use the wall mounting brackets kit item 654.0023.

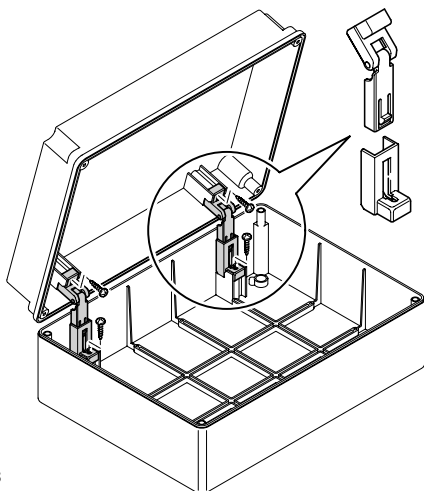
HINGES KIT

An interesting accessory for SCABOX Series, a practical hinge kit is available that permits the book-like opening of the cover while keeping it integral with the base.

The kit can be optionally applied inside the casing in a quick and simple manner; thus the SCABOX acquires greater functionality – perfect in the installation phase, during the wiring operations, and extremely practical for the subsequent phases of maintenance and inspection, since it keeps the cover supported and hinged to the base.

Pressing lightly on the small lever of the hinge, it is possible to remove the cover from the base and to thus separate the two elements.

With a simple locking manoeuvre it is possible to eventually replace the cover to the base.



SCABOX Series
Hinges kit (3 pieces).
Item 654.0085.

CUBIK SERIES

CUBIK is a range of junction boxes made of impact resistant and self extinguishing thermoplastic material specifically formulated to stand high temperatures (GW 960°C).

Thanks to this unique feature CUBIK junction boxes are suitable for installation in places at risk of fire, assuring unparalleled protection to their content.

The base-cover coupling is guaranteed by engineering plastic quarter-turn captive screws, the co-molded gasket offer constant protection against dust and liquids over time.

