

# 444 LED Double Flash/Multi-Tone Sounder Combination



Base mounting



Wall mounting

## TECHNICAL SPECIFICATIONS/ORDER SPECIFICATIONS:

Dimensions (L x H x W):	109 mm x 112 mm x 150 mm		
Housing:	PC/ABS-Blend		
Lens:	PC, transparent		
Connection:	24 V: Screw terminal 0.5-1.5 mm <sup>2</sup> 115/230 V: CAGE CLAMP®		
Cable entry:	Membrane for cable diameter max. 13 mm		
Life duration:	Up to 50,000 hrs (LED Double Flash)		
Flash frequency:	c. 1 Hz		
Fixing:	Wall, base and ceiling mounting		
Voltage:	24 V AC/DC	115 V AC	230 V AC
Current consumption Optical:	60 mA	30 mA	30 mA
Current consumption Audible:	200 mA	55 mA	30 mA
red	<b>444 100 75</b>	<b>444 100 67</b>	<b>444 100 68</b>
yellow	<b>444 300 75</b>	<b>444 300 67</b>	<b>444 300 68</b>

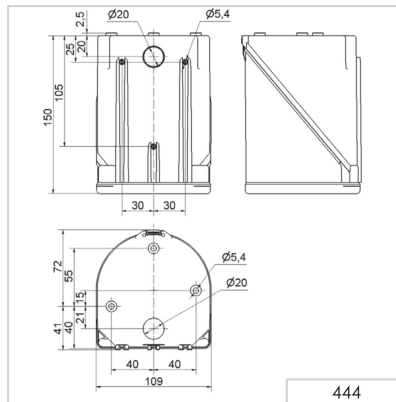
## ACCESSORIES:

Cable gland M20 x 1.5 mm (for cable strain relief)	<b>975 444 01</b>
Protection rating IP 65 is guaranteed even without cable gland	

## TONE TYPES AND FREQUENCIES:

Selectable via DIP switch, see tone table on page 230, 3 tones can be externally triggered

## TECHNICAL DIAGRAMS:



Optical-audible combinations



Signalisation index	
Multi-Tone Sounder	8
LED Flashing Light	6

24 V	115 V / 230 V			(A)	24 V
					PLC

# 444 LED EVS/Multi-Tone Sounder Combination



Base mounting



The „EVS“ light effect ensures a maximum attention-grabbing effect

## TECHNICAL SPECIFICATIONS/ORDER SPECIFICATIONS:

Dimensions (L x H x W):	109 mm x 112 mm x 150 mm		
Housing:	PC/ABS-Blend		
Lens:	PC, transparent		
Connection:	24 V: Screw terminal 0,5-1,5 mm <sup>2</sup> 115/230 V: CAGE CLAMP®		
Cable entry:	Membrane for cable diameter max. 13 mm		
Fixing:	Wall, base and ceiling mounting		
Life duration:	Up to 50,000 hrs (LED EVS)		
Voltage:	24 V AC/DC	115 V AC	230 V AC
Current consumption Optical:	60 mA	30 mA	30 mA
Current consumption Audible:	220 mA	55 mA	30 mA
red	<b>444 110 75</b>	<b>444 110 67</b>	<b>444 110 68</b>
yellow	<b>444 310 75</b>	<b>444 310 67</b>	<b>444 310 68</b>

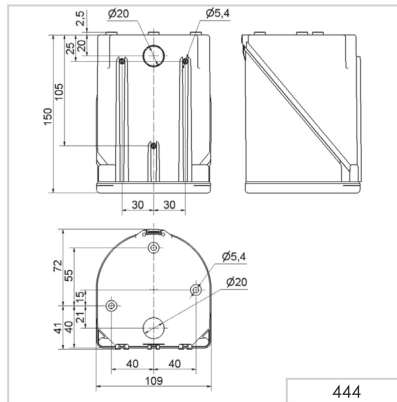
## ACCESSORIES:

Cable gland M20 x 1.5 mm (for cable strain relief)	<b>975 444 01</b>
Protection rating IP 65 is guaranteed even without cable gland	

## TONE TYPES AND FREQUENCIES:

Selectable via DIP switch, see tone table on page 230, 3 tones can be externally triggered

## TECHNICAL DIAGRAMS:



Optical-audible combinations



Signalisation index	
Multi-Tone Sounder	8
LED EVS Light	8

