

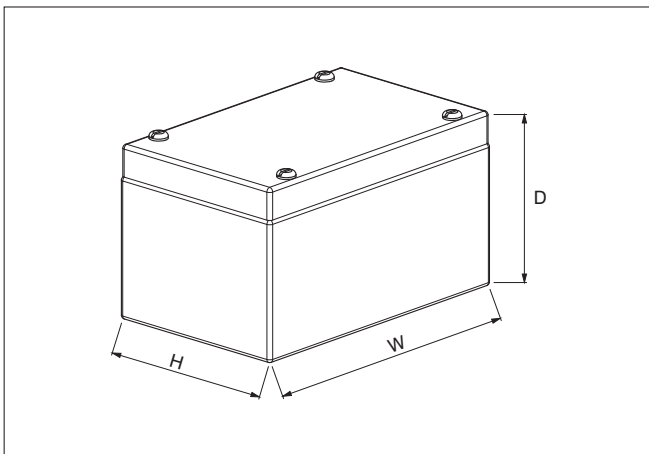
LID SCREW ENCLOSURES - AISI 316L


W	H	D	AISI 316L ENCLOSURES
90	90	75	645.B6S01
	100	90	645.B6S02
100	160	90	645.B6S03
	220	90	645.B6S04
150	160	120	645.B6S05
	220	120	645.B6S06
	280	120	645.B6S07
200	220	120	645.B6S08
	280	120	645.B6S09
250	280	120	645.B6S10
	340	150	645.B6S11
300	340	150	645.B6S12
	400	150	645.B6S13
400	400	150	645.B6S14

ACCESSORIES


GALVANIZED EARTH PLATE	AISI 316L EARTH PLATE	MOUNTING BRACKETS
-	-	
-	-	
645.B8P03	645.B6P03	
645.B8P04	645.B6P04	
645.B8P05	645.B6P05	
645.B8P06	645.B6P06	
645.B8P07	645.B6P07	
645.B8P08	645.B6P08	
645.B8P09	645.B6P09	
645.B8P10	645.B6P10	
645.B8P11	645.B6P11	
645.B8P12	645.B6P12	
645.B8P13	645.B6P13	
645.B8P14	645.B6P14	

645.B6F

DIMENSIONAL REFERENCES


ZENITH-S Series

 ATEX-IECEX-EAC Ex II 2GD

LID SCREW ENCLOSURES - AISI 304L



W	H	D	AISI 304L ENCLOSURES
90	90	75	645.B4S01
	100	90	645.B4S02
100	160	90	645.B4S03
	220	90	645.B4S04
150	160	120	645.B4S05
	220	120	645.B4S06
	280	120	645.B4S07
200	220	120	645.B4S08
	280	120	645.B4S09
250	280	120	645.B4S10
	340	150	645.B4S11
300	340	150	645.B4S12
	400	150	645.B4S13
400	400	150	645.B4S14

ACCESSORIES



GALVANIZED EARTH PLATE	AISI 304L EARTH PLATE	MOUNTING BRACKETS
-	-	
-	-	
645.B8P03	645.B4P03	
645.B8P04	645.B4P04	
645.B8P05	645.B4P05	
645.B8P06	645.B4P06	
645.B8P07	645.B4P07	
645.B8P08	645.B4P08	645.B4F
645.B8P09	645.B4P09	
645.B8P10	645.B4P10	
645.B8P11	645.B4P11	
645.B8P12	645.B4P12	
645.B8P13	645.B4P13	
645.B8P14	645.B4P14	