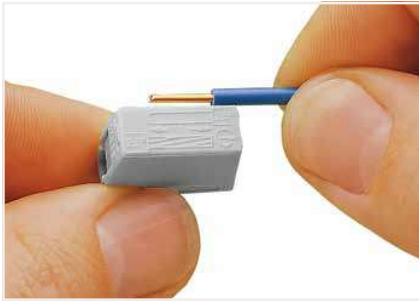


**PUSH WIRE®** **CAGE CLAMP®**

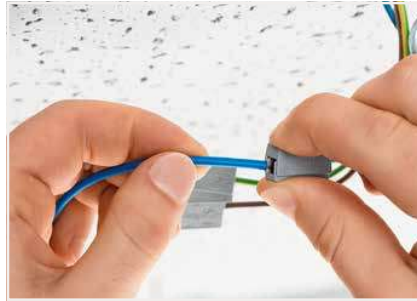
# Lighting Connectors; 224 Series

## Lighting Side and Installation Side

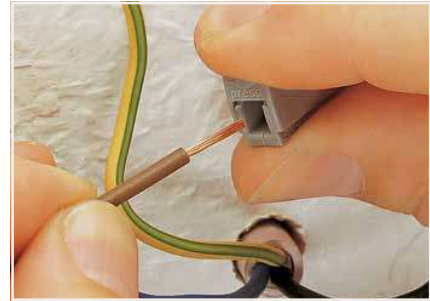
### Description and Installation



Strip conductor to 9 ... 11 mm (0.35 ... 0.43 inch).



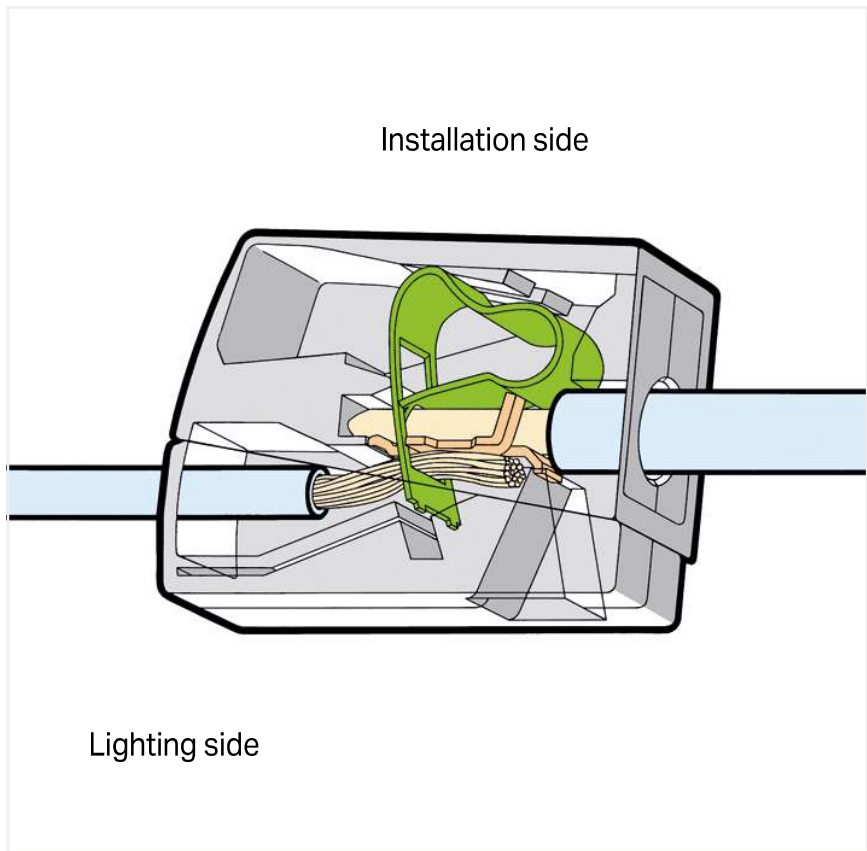
To connect: Press button fully, insert stripped conductor into square entry and release.



To remove: Press button and withdraw conductor.

Lighting side

CAGE CLAMP® terminates the following copper conductors:



12

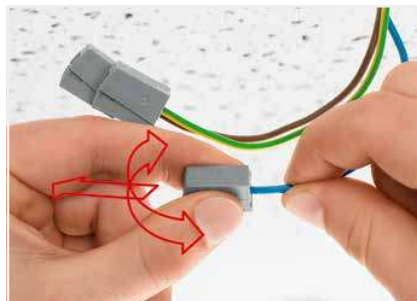


To connect: Insert stripped solid conductor into circular entry and push until it hits the backstop.

Installation side



**PUSH WIRE®** terminates the following copper conductors:  
solid

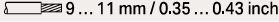



To remove: Hold conductor to be removed and twist alternately left and right while slightly pulling the connector.

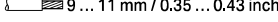


Testing via separate test ports.

## Lighting Connector and Service Connector 2.5 mm<sup>2</sup>, 224 Series

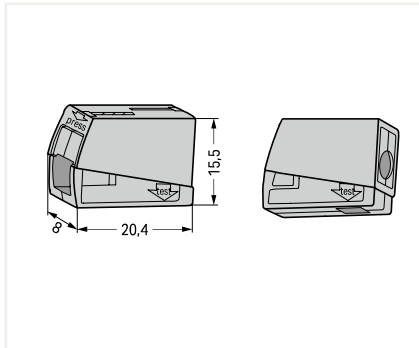
Technical Data	
Installation side	
1 ... 2.5 mm <sup>2</sup> "s"	14 ... 12 AWG
Lighting side	
0.5 ... 2.5 mm <sup>2</sup> "s+f-st"	20 ... 16 AWG
400 V/4 kV/2	300 V, 20 A <sup>Ⓢ</sup>
I <sub>N</sub> 24 A	300 V, 20 A <sup>Ⓢ</sup>
 9 ... 11 mm / 0.35 ... 0.43 inch	

Technical Data	
Installation side	
1 ... 2.5 mm <sup>2</sup> "s"	16 ... 14 AWG
Lighting side	
0.5 ... 2.5 mm <sup>2</sup> "s+f-st"	20 ... 16 AWG
400 V/4 kV/2	300 V, 20 A <sup>Ⓢ</sup>
I <sub>N</sub> 24 A	300 V, 20 A <sup>Ⓢ</sup>
 9 ... 11 mm / 0.35 ... 0.43 inch	

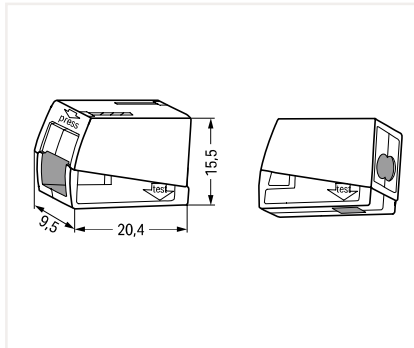
Technical Data	
0.5 ... 2.5 mm <sup>2</sup> "s+f-st"	20 ... 16 AWG
400 V/4 kV/2	300 V, 20 A <sup>Ⓢ</sup>
I <sub>N</sub> 24 A	
 9 ... 11 mm / 0.35 ... 0.43 inch	



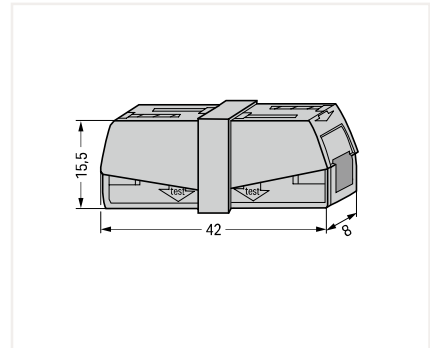
Dimensions in mm



Dimensions in mm



Dimensions in mm



Lighting connector; Standard version; Continuous operating temperature (max.): 105 °C; Surrounding air temperature (max.): 60 °C

Color	Item No.	Pack, Unit
○ gray	224-101	1000 (100)

2-wire lighting connector; Standard version; Continuous operating temperature (max.): 105 °C; Surrounding air temperature (max.): 60 °C

Color	Item No.	Pack, Unit
○ white	224-112	1000 (100)

Service connector

Color	Item No.	Pack, Unit
○ gray	224-201	50

Lighting connector; Version for increased continuous operating temperature: 120 °C; Surrounding air temperature (max.): 75 °C


● black	224-104	100
---------	---------	-----

2-wire lighting connector; Version for increased continuous operating temperature: 120 °C; Surrounding air temperature (max.): 75 °C

● black	224-114	100
---------	---------	-----

### Accessories; 224 Series

Syringe; contains 20 ml "Alu-Plus" Contact Paste

	249-130	20 (5)
---	---------	--------