

ROTA-S *flex*

**Extremely weight-reduced
manual lathe chuck for mill/
turn centers**

Flexible lightweight chuck with up to 60% weight reduction as compared to conventional 3-jaw chucks

High machine loading combined with high parts variance – the flexible and extremely weight-reduced ROTA-S flex meets precisely these requirements. The jaw quick-change system and extended guideways mean that the chuck can be converted very quickly from small to large workpiece diameters. This makes the ROTA-S flex indispensable, especially on mill/turn centers.



Advantages – Your benefits

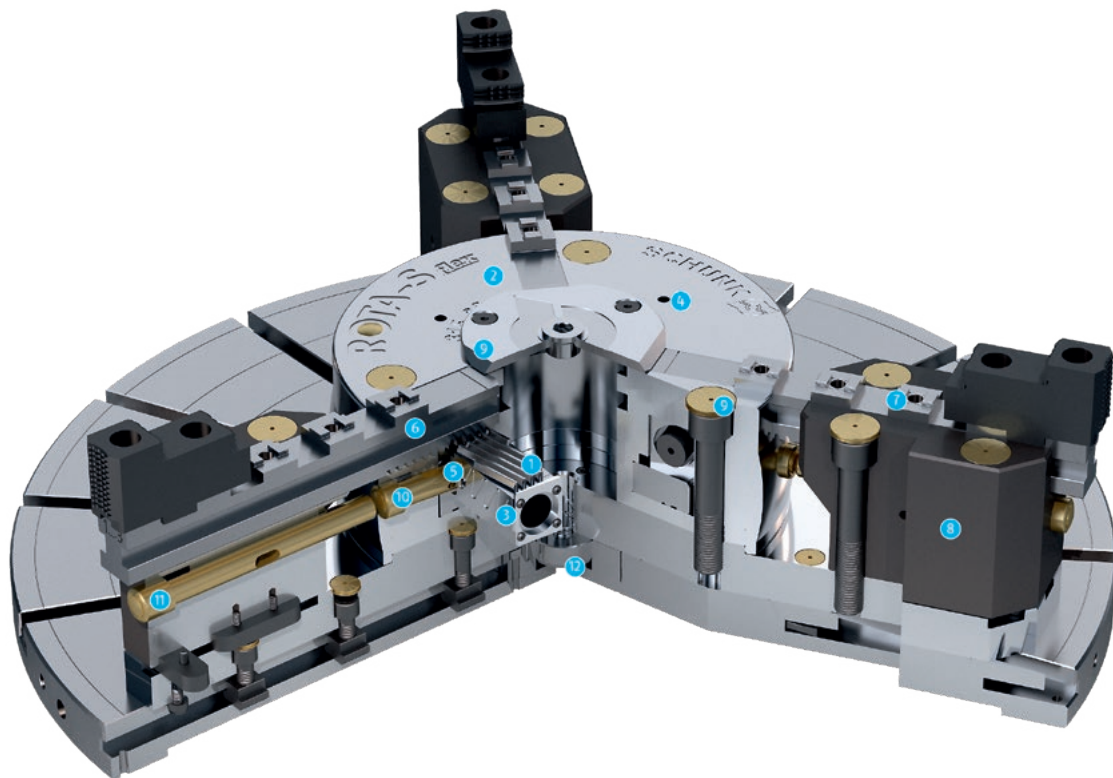
- + Convenient jaw quick-change system**
Minimizing set-up times and costs
- + High efficiency of the wedge bar system**
Process-reliable clamping due to high clamping forces
- + High jaw quick-change repeat accuracy**
No reboring of already machined jaws necessary
- + Low chuck weight**
Higher workpiece payload possible
- + Specially sealed for vertical set-ups**
Optimum protection against coolant and chips
- + Maximum flexibility due to extended guideways**
For an extremely wide clamping range
- + Visual safety devices**
Maximum operating safety
- + Optimized lubrication system**
For consistently high clamping forces
- + Angled serrated base jaws SFG**
Compatible with the ROTA-S plus and "F" system (Forkardt)
- + All sides of the functional parts are hardened and ground**
High run-out and jaw change repeat accuracy

Technical data

Description	Max. rotational speed [min ⁻¹]	Max. clamping force [kN]	Max. torque [Nm]	Stroke/jaw [mm]
ROTA-S flex 550	1000	100	120	7
ROTA-S flex 700	800	180	220	9.7
ROTA-S flex 1000	500	230	280	12
ROTA-S flex 1200	500	270	320	12
ROTA-S flex 1400	400	270	350	15

Function of ROTA-S flex

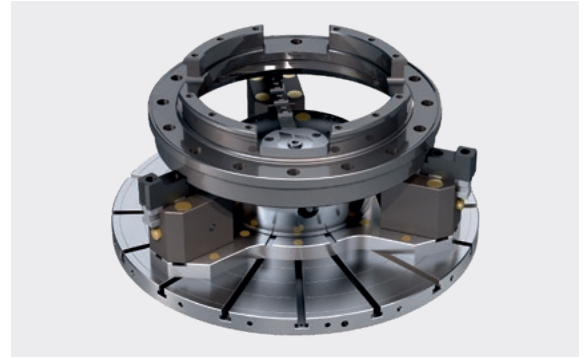
The tangentially movable wedge bars in the chuck are driven by turning the thread spindle. The wedge bars transmit the force to the base jaws, generating a jaw movement that is synchronous and radial to the axis of rotation.



- 1 Wedge bar actuation system**
It offers high run-out accuracies even at high speeds
- 2 Hardened and extremely rigid base body**
Therefore a longer service life at highest precision.
Even with maximum clamping force
- 3 Optimized lubrication system**
For a high level of efficiency
- 4 Mounting thread**
For workpiece stops or cover plates
- 5 Jaw quick-change system**
Shortest set-up times due to individual unlocking of jaws
- 6 Base jaws with diagonal serration (SFG)**
Compatible with the ROTA-S plus and "F" system (Forkardt)
- 7 Standard jaw interface**
For the use of standard chuck jaws from SCHUNK
- 8 Exchangeable guideway extension**
To increase the clamping range
- 9 Improved design which is insensitive to dirt**
By means of targeted sealing
- 10 Push button for jaw change**
For shortest set-up times
- 11 Push button extension**
For quick jaw changes when using the guideway extension
- 12 Centering pins**
For exact positioning on the machine table

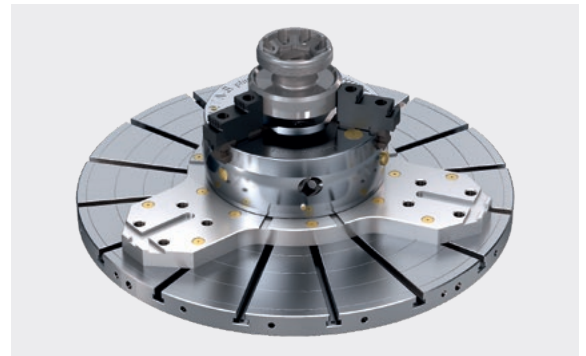
ROTA-S flex with extended guideways

Large workpieces can be precisely clamped with standard chuck jaws. The special shape permits optimal accessibility for 5-axis machining.



ROTA-S flex without extended guideways

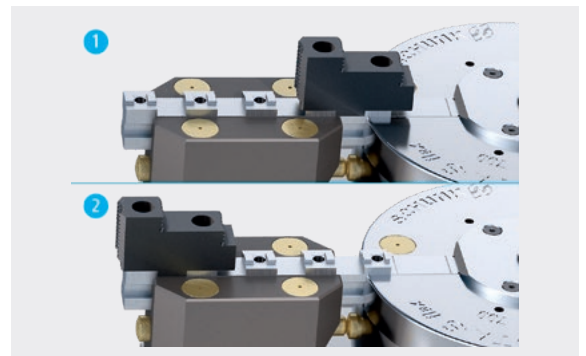
Even small workpieces can be clamped with optimal accessibility by removing the guideway extensions and using an SGF standard base jaw.



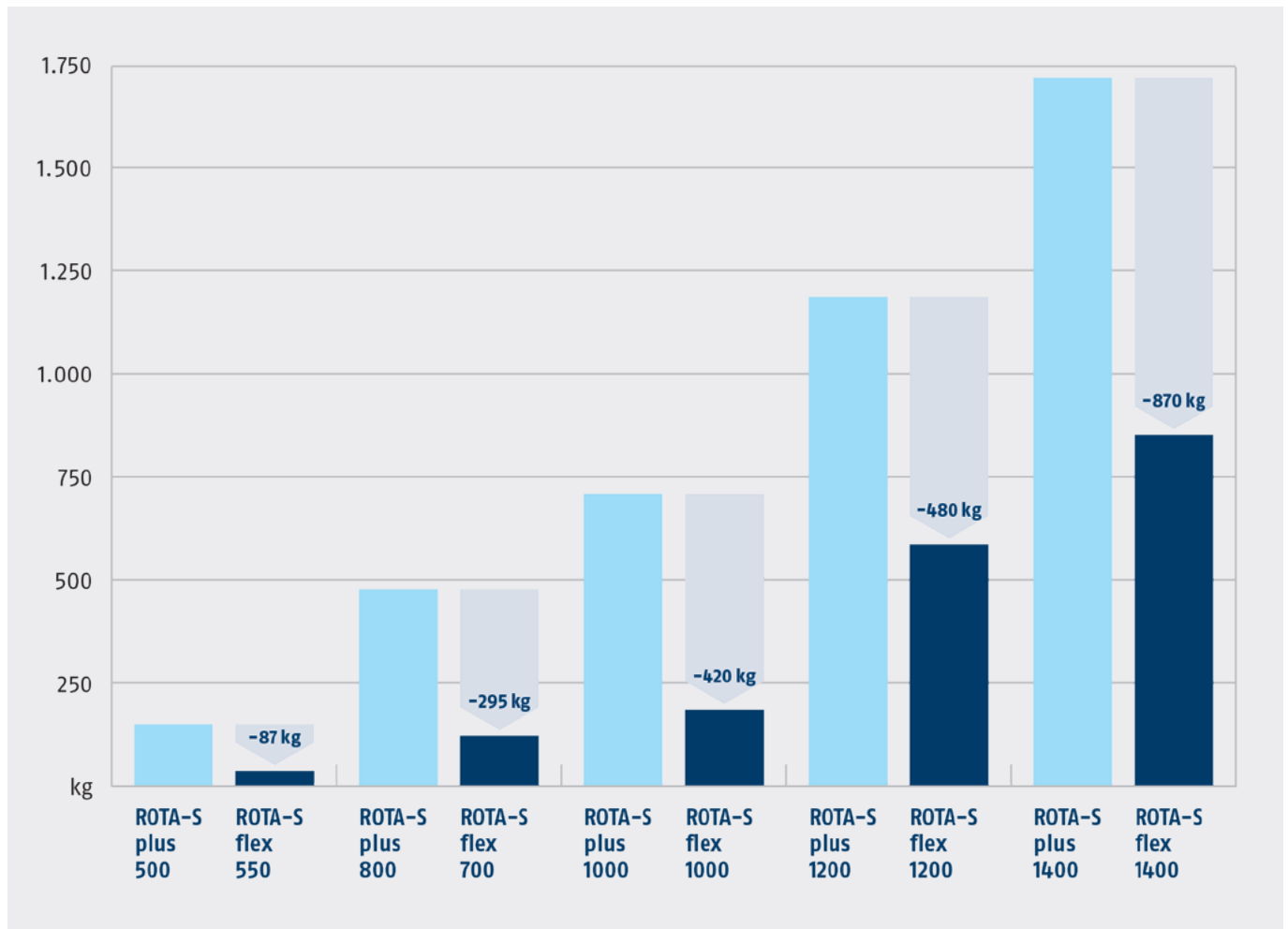
Clamping range of the ROTA-S flex

By offsetting the top jaw on the long base jaw, the ROTA-S flex can offer an extremely large clamping range. The chuck is suitable for both: O.D. and I.D. clamping.

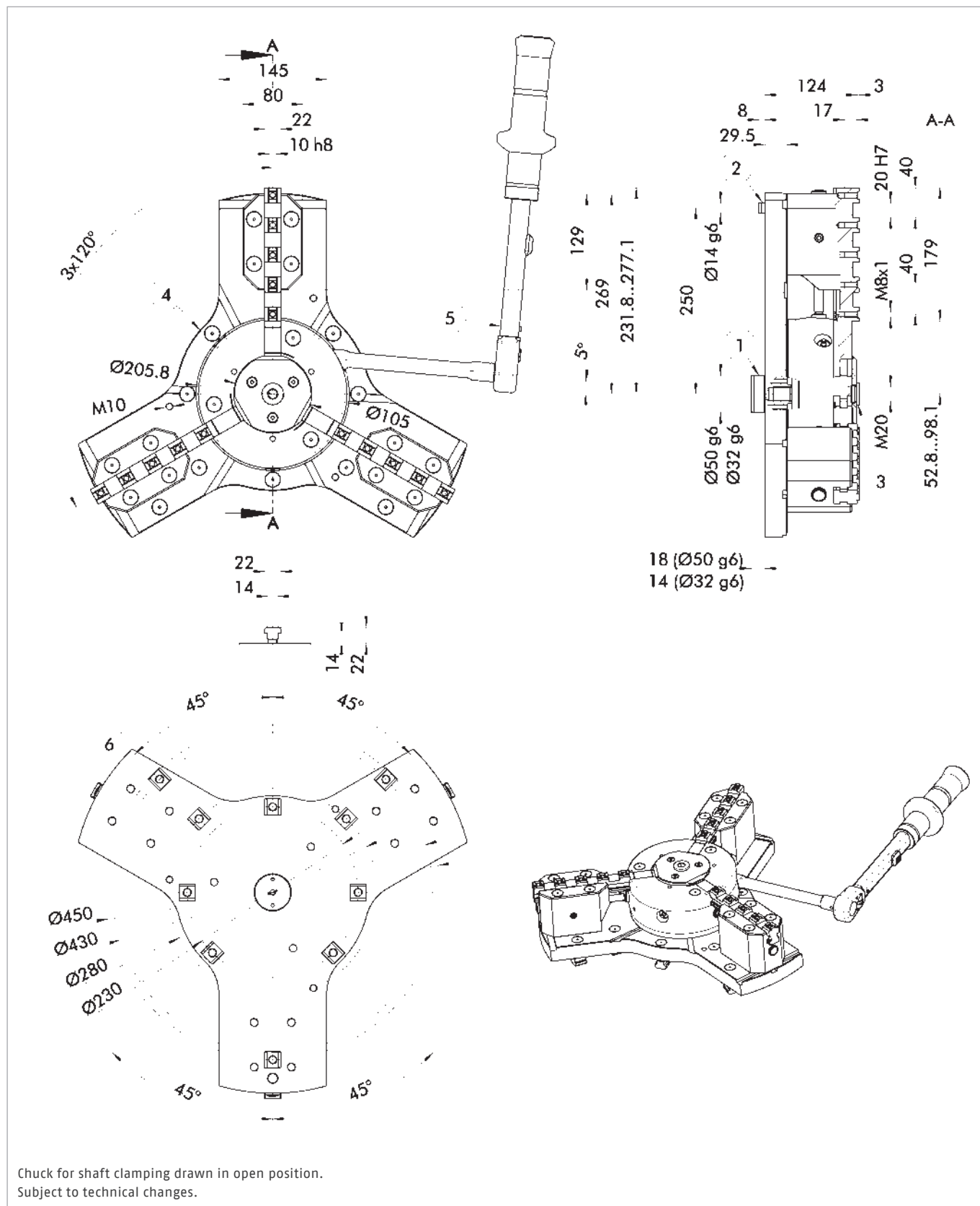
- 1 **Minimum clamping range**
With hard stepped jaws
- 2 **Maximum clamping range**
With hard stepped jaws



Weight reduction by ROTA-S flex compared to ROTA-S plus



Compared with standard 3-jaw chucks, the ROTA-S flex saves up to 60% in weight. This reduces the machine load considerably – leaving a maximum payload for heavy workpieces.



- | | |
|---|--|
| ① Centering bolt for centering the clamping pallet | ④ Water drainage grooves |
| ② Mounting bolt for position orientation of the clamping pallet | ⑤ Ratchet wrench |
| ③ Closing screw | ⑥ Lathe chuck suitable for a 22.5° star groove table |

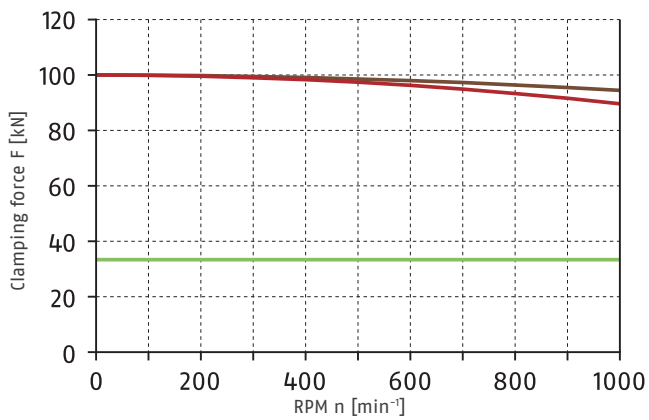
Technical data

ID	Lathe chuck used	Max. rotational speed [min ⁻¹]	Max. clamping force [kN]	Max. torque [Nm]	Stroke/jaw [mm]	Max. rotary table torque [Nm]	Weight [kg]
0814810	ROTA-S plus 2.0 200	1000	100	120	7	2000	65

Scope of delivery

Chuck, guideway extensions, long base jaws, short base jaws, centering pins, chuck cover, ratchet wrench, adapter for ratchet wrench, eye bolts, mounting screws, nuts for T-slot, bore cover plate, operating manual; without top jaws

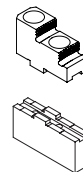
Clamping force-RPM-diagram



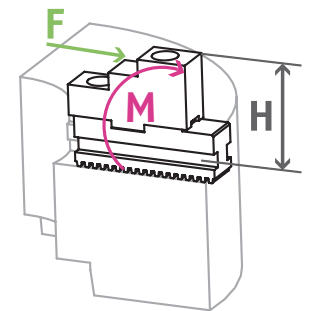
Required minimum clamping force F_{spmin} 33%

SHF 200
0.82 kg

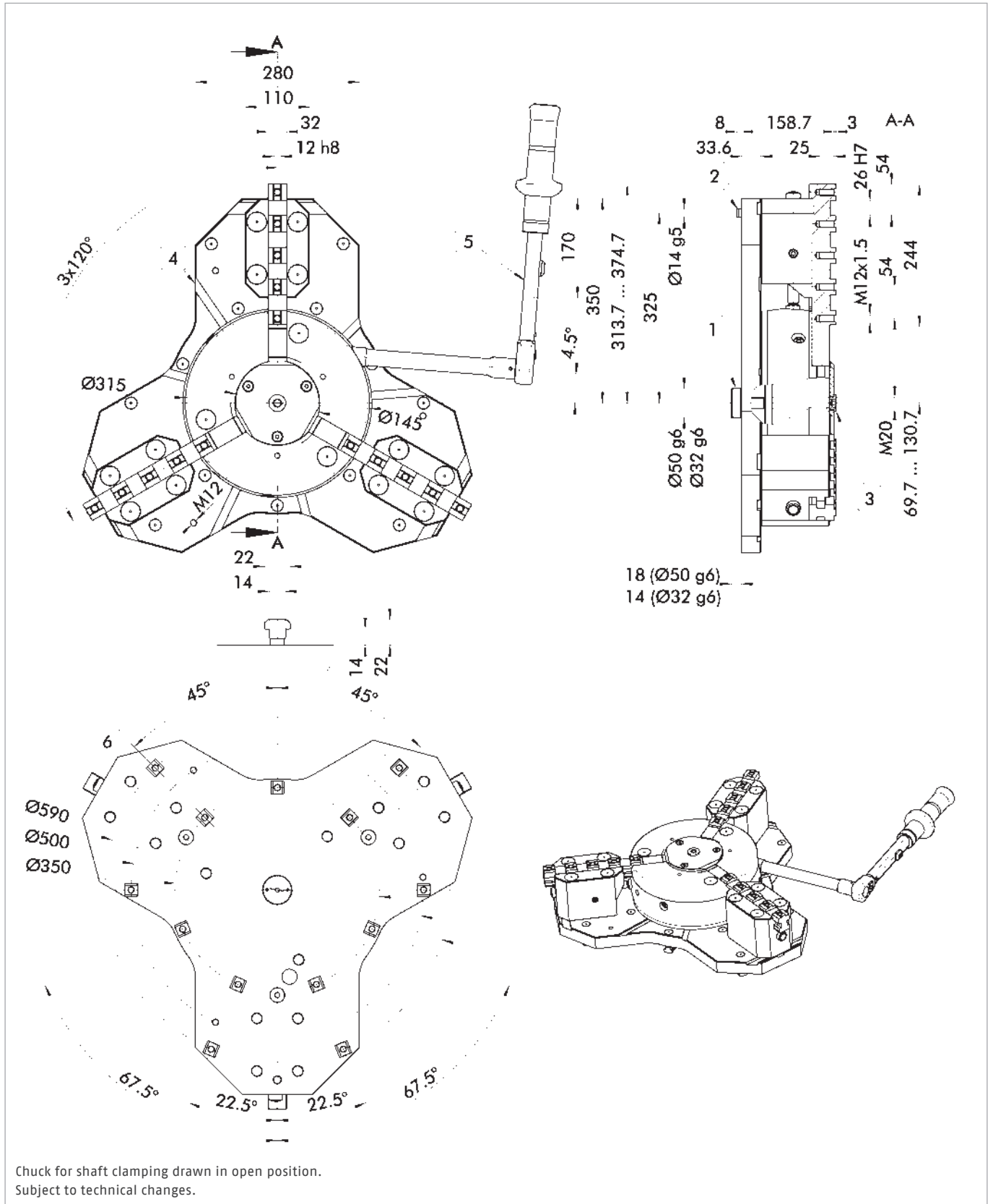
SFA 200
2 kg



Load of base jaw guidance



M_{max} = 1700 Nm



- | | |
|---|--|
| ① Centering bolt for centering the clamping pallet | ④ Water drainage grooves |
| ② Mounting bolt for position orientation of the clamping pallet | ⑤ Ratchet wrench |
| ③ Closing screw | ⑥ Lathe chuck suitable for a 22.5° star groove table |

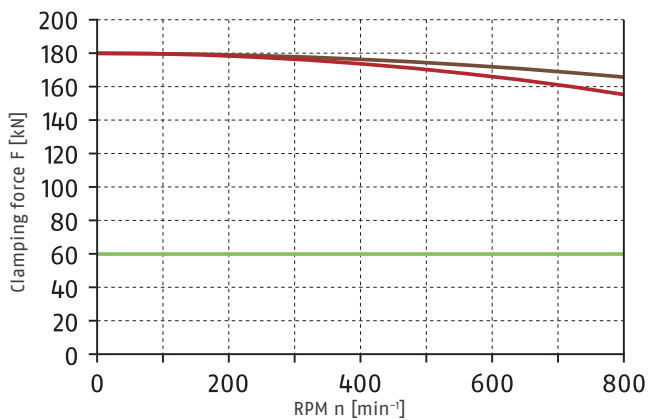
Technical data

ID	Lathe chuck used	Max. rotational speed [min ⁻¹]	Max. clamping force [kN]	Max. torque [Nm]	Stroke/jaw [mm]	Max. rotary table torque [Nm]	Weight [kg]
0814820	ROTA-S plus 2.0 315	800	180	220	9.7	2000	170

Scope of delivery

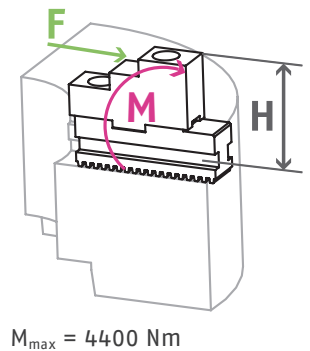
Chuck, guideway extensions, long base jaws, short base jaws, centering pins, chuck cover, ratchet wrench, adapter for ratchet wrench, eye bolts, mounting screws, nuts for T-slot, bore cover plate, operating manual; without top jaws

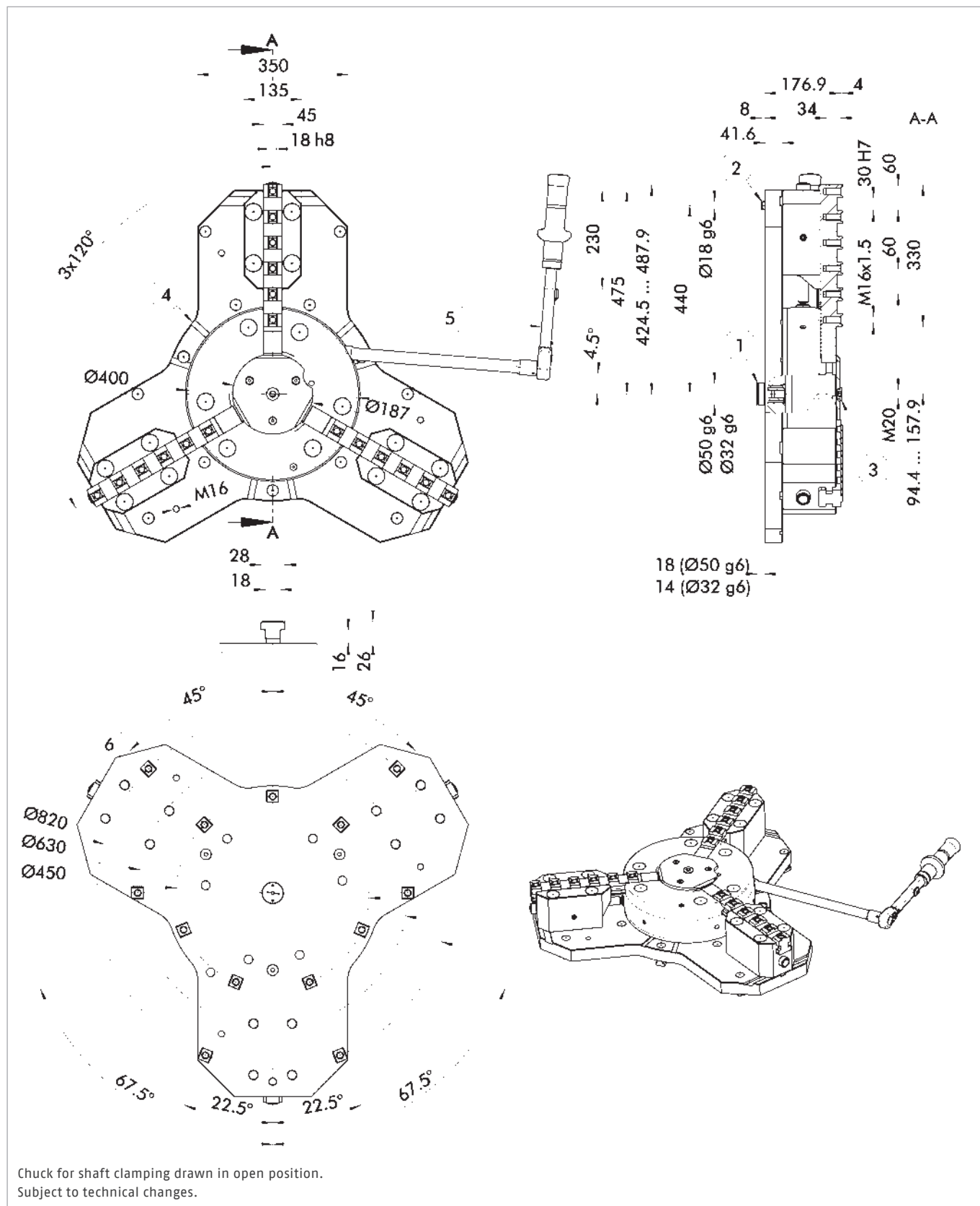
Clamping force-RPM-diagram



- Required minimum clamping force F_{spmin} 33%
- SHF 315
3.3 kg
- SFA 315
5.6 kg

Load of base jaw guidance





- | | |
|---|--|
| ① Centering bolt for centering the clamping pallet | ④ Water drainage grooves |
| ② Mounting bolt for position orientation of the clamping pallet | ⑤ Ratchet wrench |
| ③ Closing screw | ⑥ Lathe chuck suitable for a 22.5° star groove table |

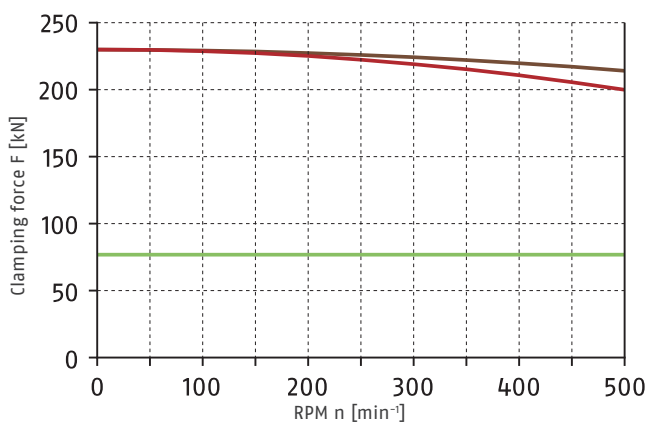
Technical data

ID	Lathe chuck used	Max. rotational speed [min ⁻¹]	Max. clamping force [kN]	Max. torque [Nm]	Stroke/jaw [mm]	Max. rotary table torque [Nm]	Weight [kg]
0814830	ROTA-S plus 400	500	230	280	12	4000	360

Scope of delivery

Chuck, guideway extensions, long base jaws, short base jaws, centering pins, chuck cover, ratchet wrench, adapter for ratchet wrench, eye bolts, mounting screws, nuts for T-slot, bore cover plate, operating manual; without top jaws

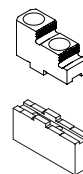
Clamping force-RPM-diagram



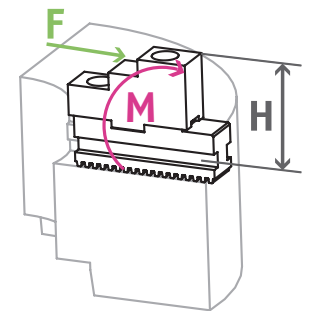
■ Required minimum clamping force F_{spmin} 33%

■ SHF 400
6.8 kg

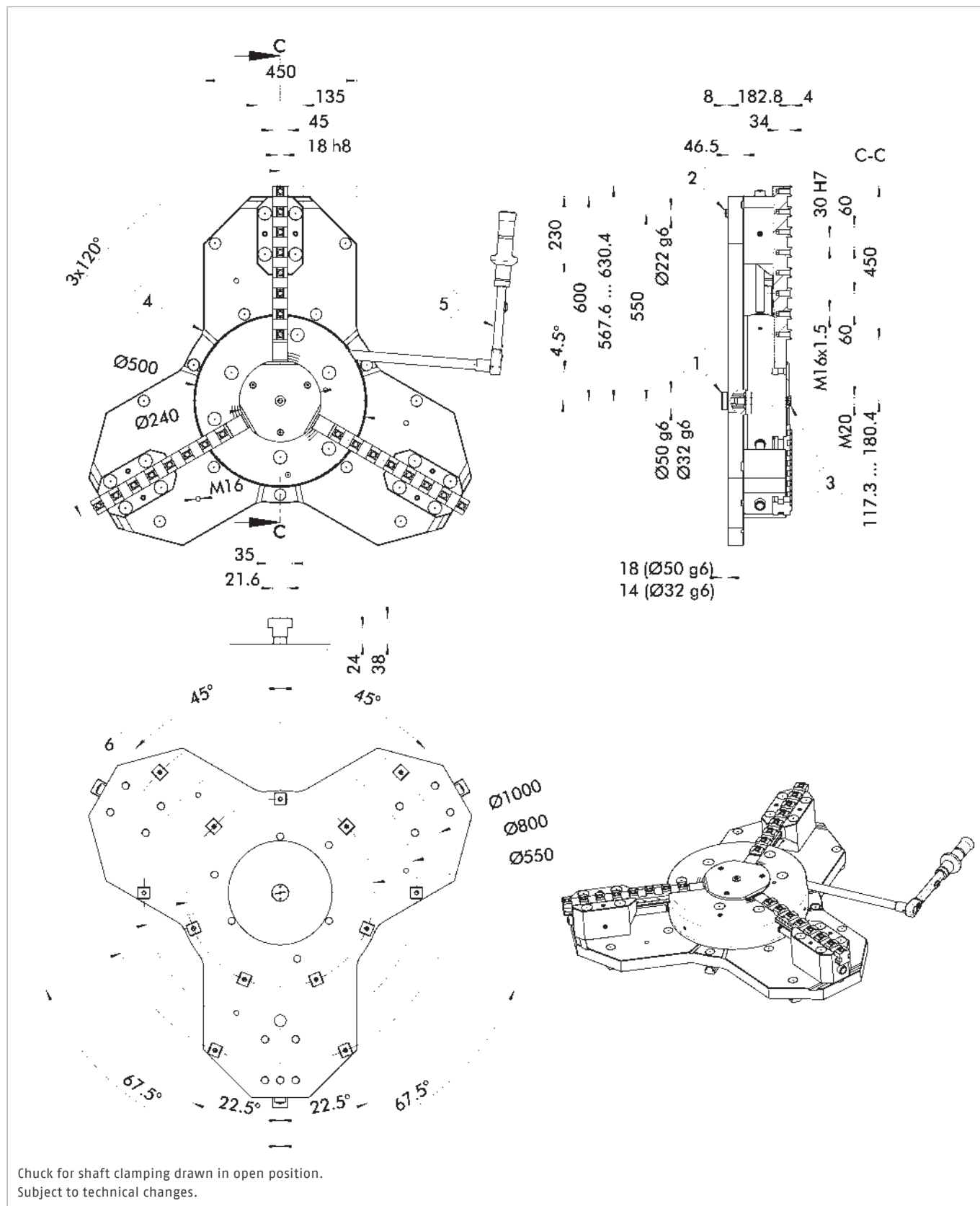
■ SFA 400
13.7 kg



Load of base jaw guidance



$M_{max} = 7437 \text{ Nm}$



- ① Centering bolt for centering the clamping pallet
- ② Mounting bolt for position orientation of the clamping pallet
- ③ Closing screw

- ④ Water drainage grooves
- ⑤ Ratchet wrench
- ⑥ Lathe chuck suitable for a 22.5° star groove table

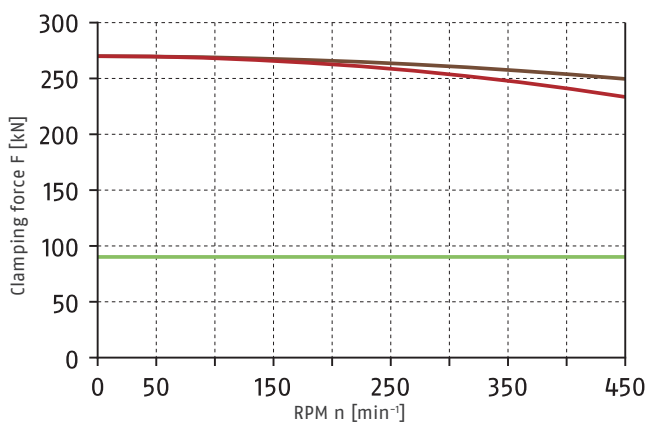
Technical data

ID	Lathe chuck used	Max. rotational speed [min ⁻¹]	Max. clamping force [kN]	Max. torque [Nm]	Stroke/jaw [mm]	Max. rotary table torque [Nm]	Weight [kg]
0814840	ROTA-S plus 500	500	270	320	12	6300	490

Scope of delivery

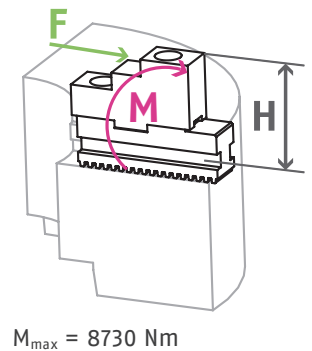
Chuck, guideway extensions, long base jaws, short base jaws, centering pins, chuck cover, ratchet wrench, adapter for ratchet wrench, eye bolts, mounting screws, nuts for T-slot, bore cover plate, operating manual; without top jaws

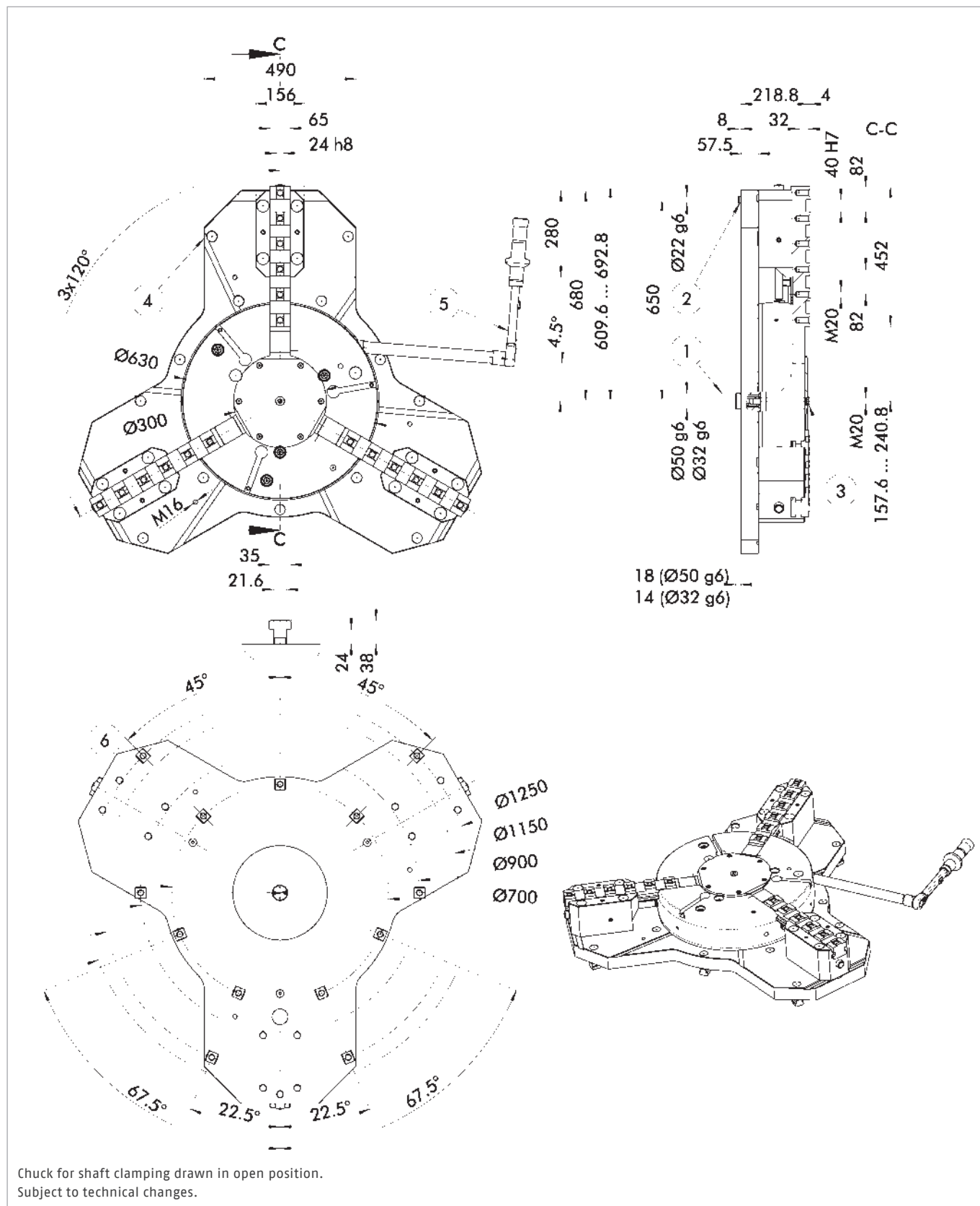
Clamping force-RPM-diagram



- Required minimum clamping force F_{spmin} 33%
- SHF 400 6.8 kg
- SFA 400 13.7 kg

Load of base jaw guidance





① Centering bolt for centering the clamping pallet

② Mounting bolt for position orientation of the clamping pallet

③ Closing screw

④ Water drainage grooves

⑤ Ratchet wrench

⑥ Lathe chuck suitable for a 22.5° star groove table

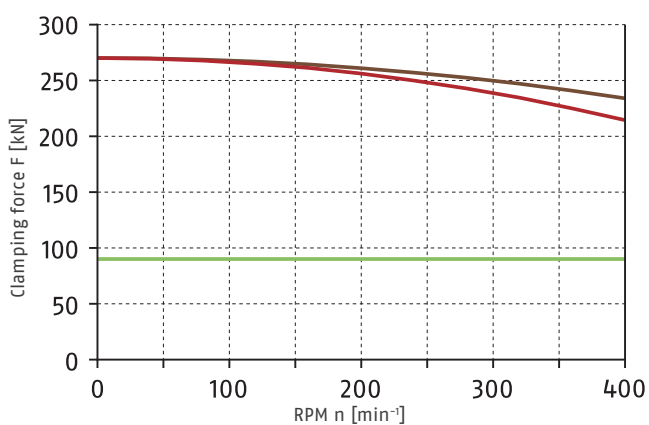
Technical data

ID	Lathe chuck used	Max. rotational speed [min ⁻¹]	Max. clamping force [kN]	Max. torque [Nm]	Stroke/jaw [mm]	Max. rotary table torque [Nm]	Weight [kg]
0814850	ROTA-S plus 630	400	270	350	15	8000	830

Scope of delivery

Chuck, guideway extensions, long base jaws, short base jaws, centering pins, chuck cover, ratchet wrench, adapter for ratchet wrench, eye bolts, mounting screws, nuts for T-slot, bore cover plate, operating manual; without top jaws

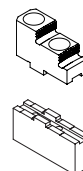
Clamping force-RPM-diagram



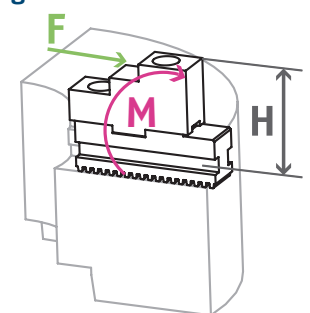
Required minimum clamping force F_{spmin} 33%

SHF 630
18 kg

SFA 630
39.6 kg



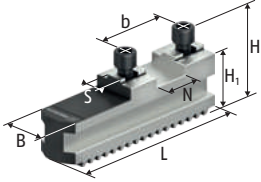
Load of base jaw guidance



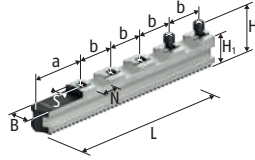
M_{max} = 10620 Nm

Base jaws

with angled serration



SFGF-K
Base jaws



SFGF-L
Base jaws

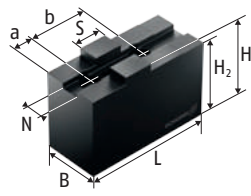
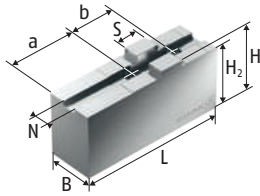
Technical data

Chuck type	Description	ID	N [mm]	S [mm]	B [mm]	H [mm]	H1 [mm]	L [mm]	b [mm]	Screws	m/SET [kg]
ROTA-S flex 550	SFGF-K 550	8705502	20	10	22	35	32	90	40	M8x1	0.2
ROTA-S flex 550	SFGF-L 550	8705531	20	10	22	35	32	230	40	M8x1	2.8
ROTA-S flex 700	SFGF-K 700	0814826	26	12	32	45	42	136	51	M12x1.5	2.8
ROTA-S flex 700	SFGF-L 700	0814825	26	12	32	45	42	311	54	M12x1.5	7.1
ROTA-S flex 1000	SFGF-K 1000	0814836	30	18	45	55	51	160	60	M16x1.5	6.4
ROTA-S flex 1000	SFGF-L 1000	0814835	30	18	45	55	51	415	60	M16x1.5	16.0
ROTA-S flex 1200	SFGF-K 1200	0814846	30	18	45	55	51	160	60	M16x1.5	6.4
ROTA-S flex 1200	SFGF-L 1200	0814845	30	18	45	55	51	535	60	M16x1.5	20.7
ROTA-S flex 1400	SFGF-K 1400	8705289	40	24	65	62	58	280	82	M20	16.2
ROTA-S flex 1400	SFGF-L 1400	8705286	40	24	65	62	58	570	82	M20	36.9

Our complete range of chuck jaws can be found online in our Chuck Jaw Quickfinder and on schunk.com

Soft top jaws

with tongue and groove



SFA-AL
Soft top jaws

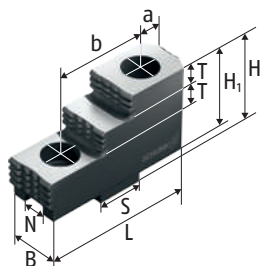
SFA
Soft top jaws

Technical data

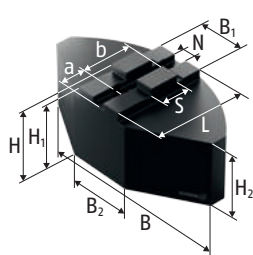
Chuck type	Description	ID	N [mm]	S [mm]	B [mm]	H [mm]	H2 [mm]	L [mm]	a [mm]	b [mm]	Screws	m/SET [kg]
ROTA-S flex 550	SFA 200	0153101	10	20	22	47	43	105	25	40	M8	2.0
ROTA-S flex 550	SFA-AL 200	0172102	10	20	25	50	46	105	40	40	M8	0.9
ROTA-S flex 550	SFA 200-C1	0154100	10	20	30	55.5	51.5	100	13	40	M8	3.2
ROTA-S flex 550	SFA 200-C2	0154124	10	20	22	55.5	51.5	100	13	40	M8	2.2
ROTA-S flex 550	SFA 200-C3	0154128	10	20	40	40	36	70	13	40	M8	2.1
ROTA-S flex 550	SFA 200-C4	0154130	10	20	40	60	56	85	13	40	M8	4.0
ROTA-S flex 550	SFA 200-C5	0154132	10	20	40	80	76	95	13	40	M8	6.1
ROTA-S flex 700	SFA 315	0153103	12	26	35	60	54	145	31	54	M12	5.6
ROTA-S flex 700	SFA-AL 315	0172104	12	26	40	60	54	145	60	54	M12	2.4
ROTA-S flex 700	SFA 315-C1	0154108	12	26	40	60	54	110	16	54	M12	4.9
ROTA-S flex 700	SFA 315-C2	0154109	12	26	40	60	54	145	16	54	M12	6.6
ROTA-S flex 700	SFA 315-C3	0154110	12	26	40	100	94	145	16	54	M12	11.4
ROTA-S flex 700	SFA 315-C4	0154111	12	26	40	120	114	145	16	54	M12	13.8
ROTA-S flex 700	SFA 315-C5	0154112	12	26	40	150	144	145	16	54	M12	17.5
ROTA-S flex 700	SFA 315-C51	0154123	12	26	50	80	74	145	16	54	M12	11.4
ROTA-S flex 700	SFA 315-C6	0154113	12	26	60	60	54	110	16	54	M12	7.6
ROTA-S flex 700	SFA 315-C7	0154114	12	26	80	60	54	110	16	54	M12	10.3
ROTA-S flex 700	SFA 315-C8	0154115	12	26	80	80	74	110	16	54	M12	14.0
ROTA-S flex 1000	SFA 400	0153104	18	30	50	80	73	180	35	60	M16	13.7
ROTA-S flex 1000	SFA-AL 400	0172105	18	30	50	80	73	180	85	60	M16	6.3
ROTA-S flex 1000	SFA 400-C1	0154116	18	30	60	80	73	130	50	60	M16	11.8
ROTA-S flex 1000	SFA 400-C3	0154118	18	30	60	100	93	155	20	60	M16	18.2
ROTA-S flex 1000	SFA 400-C4	0154119	18	30	60	120	113	155	20	60	M16	22.1
ROTA-S flex 1000	SFA 400-C5	0154120	18	30	80	80	73	130	20	60	M16	16.0
ROTA-S flex 1000	SFA 400-C6	0154125	18	30	58	180	173	160	20	60	M16	33.6
ROTA-S flex 1000	SFA 400-C7	0154135	18	30	96	115	108	115	20	60	M16	25.2
ROTA-S flex 1200	SFA 400	0153104	18	30	50	80	73	180	35	60	M16	13.7
ROTA-S flex 1200	SFA-AL 400	0172105	18	30	50	80	73	180	85	60	M16	6.3
ROTA-S flex 1200	SFA 400-C1	0154116	18	30	60	80	73	130	50	60	M16	11.8
ROTA-S flex 1200	SFA 400-C3	0154118	18	30	60	100	93	155	20	60	M16	18.2
ROTA-S flex 1200	SFA 400-C4	0154119	18	30	60	120	113	155	20	60	M16	22.1
ROTA-S flex 1200	SFA 400-C5	0154120	18	30	80	80	73	130	20	60	M16	16.0
ROTA-S flex 1200	SFA 400-C6	0154125	18	30	58	180	173	160	20	60	M16	33.6
ROTA-S flex 1200	SFA 400-C7	0154135	18	30	96	115	108	115	20	60	M16	25.2
ROTA-S flex 1400	SFA 630	0153106	24	40	65	118	110	260	129	82	M20	39.6
ROTA-S flex 1400	SFA-AL 630	0172106	24	40	65	118	110	260	129	82	M20	14.2

Our complete range of chuck jaws can be found online in our Chuck Jaw Quickfinder and on schunk.com

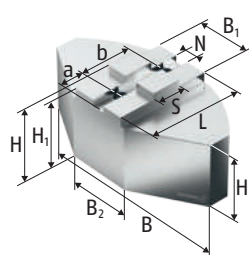
Hard stepped top jaws, Full grip jaws with tongue and groove



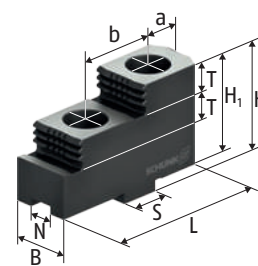
SHF
Hard stepped top jaws



SFA-SM
Full grip jaws



SFA-SA
Full grip jaws



SHF
Hard stepped top jaws

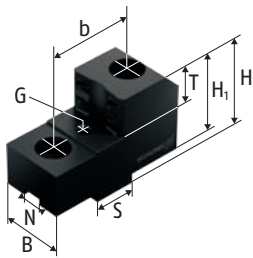
Technical data

Chuck type	Description	ID	N [mm]	S [mm]	B [mm]	B1 [mm]	H [mm]	H1 [mm]	H2 [mm]	L [mm]	T [mm]	a [mm]	b [mm]	Screws	m/SET [kg]
ROTA-S flex 550	SFA-SA 200	0174101	10	20	140	35	58	54	48	72.5		21.75	40	M8	2.4
ROTA-S flex 550	SFA-SA 201	0174105	10	20	140	35	80	76	70	72.5		21.75	40	M8	3.5
ROTA-S flex 550	SFA-SM 200	0173101	10	20	140	35	60	56	50	70		18	40	M8	9.0
ROTA-S flex 550	SFA-SM 201	0173105	10	20	140	35	80	76	70	70		18	40	M8	12.5
ROTA-S flex 550	SHF 200	0155101	10	20	22		42	38		71.7	10	16	40	M8	0.8
ROTA-S flex 700	SFA-SA 315	0174103	12	26	240	45	75	69	60	117		49.75	54	M12	8.0
ROTA-S flex 700	SFA-SM 315	0173103	12	26	240	45	75	69	60	110		41	54	M12	29.2
ROTA-S flex 700	SHF 315	0155103	12	26	36		62	56		105	15	22.3	54	M12	3.3
ROTA-S flex 1000	SFA-SA 400	0174104	18	30	330	60	90	83	60	160		81	60	M16	16.3
ROTA-S flex 1000	SFA-SM 400	0173104	18	30	330	45	85	78	55	160		81	60	M16	55.2
ROTA-S flex 1000	SHF 400	0155104	18	30	45		82	75		130	20	27.05	60	M16	6.8
ROTA-S flex 1200	SFA-SA 400	0174104	18	30	330	60	90	83	60	160		81	60	M16	16.3
ROTA-S flex 1200	SFA-SM 400	0173104	18	30	330	45	85	78	55	160		81	60	M16	55.2
ROTA-S flex 1200	SHF 400	0155104	18	30	45		82	75		130	20	27.05	60	M16	6.8
ROTA-S flex 1400	SHF 630	0155106	24	40	65		105	97		185	30	41	82	M20	18.0

Our complete range of chuck jaws can be found online in our Chuck Jaw Quickfinder and on schunk.com

Claw jaws

with tongue and groove



SZKA
Claw jaws

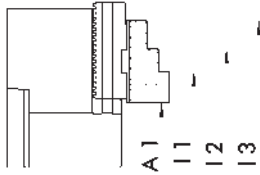
Technical data

Chuck type	Clamping range ØD	Swing diameter SDmax	Description	ID	N	S	B	H	H1	T	G	b	Screws	m/SET
	[mm]	[mm]			[mm]	[mm]	[mm]	[mm]	[mm]	[mm]	[mm]	[mm]		[kg]
ROTA-S flex 550	65 - 387	570	SZKA 212	0139153	10	20	26	49	45	25	M6	40	M8	1.4
ROTA-S flex 550	140 - 462	570	SZKA 213	0139154	10	20	30	49	45	25	M6	40	M8	1.3
ROTA-S flex 550	175 - 497	570	SZKA 216	0139159	10	20	30	49	45	25	M6	40	M8	1.2
ROTA-S flex 700	120 - 557	755	SZKA 321	0139166	12	26	40	59	53	25	M8	54	M12	3.1
ROTA-S flex 700	230 - 666	765	SZKA 324	0139169	12	26	40	59	53	25	M8	54	M12	2.8
ROTA-S flex 1000	264 - 765	990	SZKA 409	0139170	18	30	50	78	71	33	M8	60	M16	6.0
ROTA-S flex 1000	366 - 867	990	SZKA 412	0139173	18	30	50	78	71	33	M8	60	M16	5.1
ROTA-S flex 1200	309 - 1050	1280	SZKA 409	0139170	18	30	50	78	71	33	M8	60	M16	6.0
ROTA-S flex 1200	411 - 1152	1280	SZKA 412	0139173	18	30	50	78	71	33	M8	60	M16	5.1
ROTA-S flex 1400	288 - 1101	1408	SZKA 631	0139200	24	40	65	97	89	42	M8	82	M20	13.5
ROTA-S flex 1400	445 - 1262	1408	SZKA 632	0139201	24	40	65	97	89	42	M8	82	M20	11.8

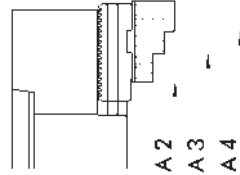
Our complete range of chuck jaws can be found online in our Chuck Jaw Quickfinder and on schunk.com

Hard stepped top jaws

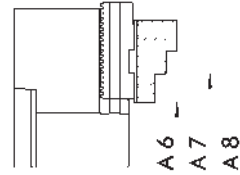
with tongue and groove



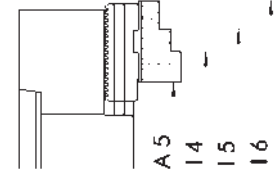
Position of base jaws II



Position of base jaws I



Position of base jaws II



Position of base jaws I

O.D. clamping

Chuck type	Description	ID	A1 [mm]	A2 [mm]	A3 [mm]	A4 [mm]
ROTA-S flex 550	SHF 200	0155101	93 - 415	93 - 415	146 - 467	174 - 495
ROTA-S flex 700	SHF 315	0155103	122 - 561		130 - 568	238 - 678
ROTA-S flex 1000	SHF 400	0155104	170 - 772		164 - 766	285 - 888
ROTA-S flex 1200	SHF 400	0155104	215 - 1057		210 - 1051	331 - 1173
ROTA-S flex 1400	SHF 630	0155106	267 - 1097		272 - 1101	431 - 1262

I.D. clamping

Chuck type	Description	ID	I1 [mm]	I2 [mm]	I3 [mm]
ROTA-S flex 550	SHF 200	0155101	158 - 479	185 - 506	237 - 559
ROTA-S flex 700	SHF 315	0155103	203 - 643	313 - 752	
ROTA-S flex 1000	SHF 400	0155104	282 - 885	403 - 1007	
ROTA-S flex 1200	SHF 400	0155104	327 - 1169	448 - 1291	
ROTA-S flex 1400	SHF 630	0155106	431 - 1261	592 - 1422	

Accessories

Clamping force tester

For measuring the jaw clamping force of 2, 3 and 6-jaw chucks up to 6,000 RPM.



Suitable for	Description	ID
ROTA-S flex 550		
ROTA-S flex 700		
ROTA-S flex 1000		
ROTA-S flex 1200		
ROTA-S flex 1400	IFT Set	1404235

Extension set for large chucks

For use as an extension of the IFT measuring head for measuring the jaw clamping force of large chucks of \varnothing 400 mm and more.



Suitable for	Description	ID
ROTA-S flex 550		
ROTA-S flex 700		
ROTA-S flex 1000		
ROTA-S flex 1200		
ROTA-S flex 1400	IFT adapter set	1498512

Torque wrench

Torque wrench for actuation of SCHUNK manual lathe chucks.



Suitable for	Description	ID
ROTA-S flex 550	SSH-D-1/2" 40-200	9938065
ROTA-S flex 700	SSH-D-1/2" 60-300	1301281
ROTA-S flex 1000		
ROTA-S flex 1200		
ROTA-S flex 1400	SSH-D-3/4" 80-400	1301023

Ratchets

Ratchet for fast actuation of SCHUNK manual lathe chucks.



Suitable for	Description	ID
ROTA-S flex 550		
ROTA-S flex 700	SSH-K 1/2"-350	1151118
ROTA-S flex 1000	SSH-K 3/4"-510	9987240
ROTA-S flex 1200		
ROTA-S flex 1400	SSH-K 3/4"-620	9987241

Hexagon spanner wrench adapter with ejector

For use as an attachment for a torque wrench and ratchet for actuating SCHUNK manual lathe chucks with hexagonal connection.



Suitable for	Description	ID
ROTA-S flex 550	SAS-I 1/2"-SW12	8705487
ROTA-S flex 700	SAS-I 1/2"-SW16	8705471

Square spanner wrench adapter with ejector

For use as an attachment for a torque wrench and ratchet for actuating SCHUNK manual lathe chucks with hexagonal connection.



Suitable for	Description	ID
ROTA-S flex 1000		
ROTA-S flex 1200	SAV-I 3/4"-SW19	8705470
ROTA-S flex 1400	SAV-I 3/4"-SW24	8705476

Centering pins

For precise alignment of SCHUNK ROTA-S flex manual lathe chucks on the machine table.



Suitable for	Description	ID
ROTA-S flex 550		
ROTA-S flex 700		
ROTA-S flex 1000		
ROTA-S flex 1200		
ROTA-S flex 1400	ZTB \varnothing 32	0814847
ROTA-S flex 550		
ROTA-S flex 700		
ROTA-S flex 1000		
ROTA-S flex 1200		
ROTA-S flex 1400	ZTB \varnothing 50	0814827

Cover plate

For covering up the fastening screws of the chuck body as well as the guideway extensions.



Suitable for	Description	ID
ROTA-S flex 550		
ROTA-S flex 700	VSD M12	40009901
ROTA-S flex 1000	VSD M16	40009903
ROTA-S flex 1200		
ROTA-S flex 1400	VSD M20	40009907

Grease

LINOMAX plus

High-performance grease as standard for regularly lubricating SCHUNK manual and power lathe chucks and steady rests.



Bundle	Description	ID
Cartridge	LINOMAX plus cartridge	1342585
Can	LINOMAX plus can	1342586
Bucket	LINOMAX plus bucket	1342587

Grease gun

Auxiliary tools for lubrication of all kinds of SCHUNK products. The grease gun can be used for cartridges of all types of SCHUNK grease.



Bundle	Description	ID
Cartridge	Grease gun	9900543



**H.-D. SCHUNK GmbH & Co.
Spanntechnik KG**

Lothringer Str. 23
D-88512 Mengen
Tel. +49-7572-7614-1300
Fax +49-7572-7614-1039
CMM@de.schunk.com
schunk.com